

## PRODUCT DATASHEET

All PC+IP65 Linear Light  
HYD-T10-40W 6500K



---

### Application

- Office
- School
- Corridor
- Meeting room
- Shop

---

### Benefit

- Flicker free
- Protection against water & dust, IP65
- Linear lamp body to achieve geometric design, free splicing, decorating space
- It can be installed in various ways, such as ceiling and hoisting , to achieve rich light and shadow space design

---

### Feature

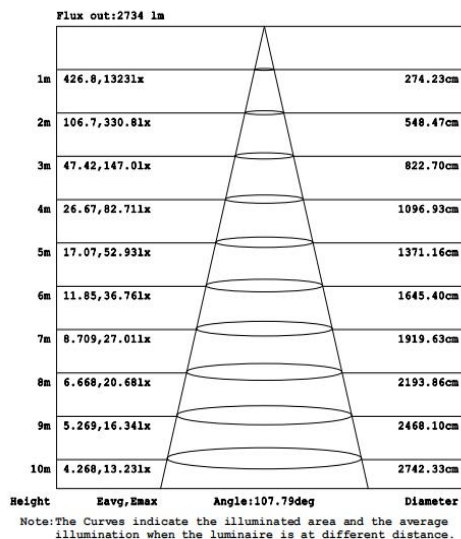
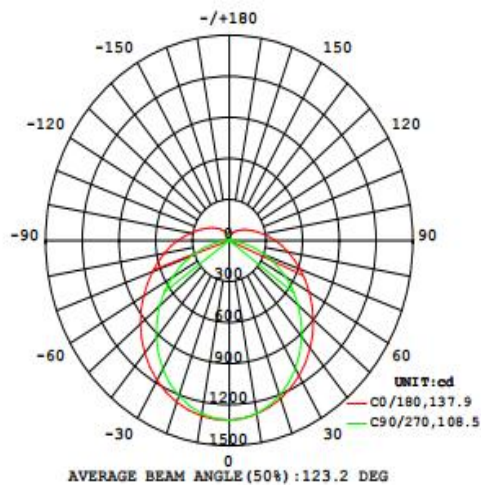
- Clear PC Lenses
- Warranty 5 years
- Easy and quick installation
- All PC,high light transmission,high light efficiency

## Electrical Data

Nominal wattage (W)	<b>40W</b>
Nominal Voltage (V)	220-240 V
Mains Frequency (Hz)	50/60 Hz
Nominal Current (mA)	180 mA
LED Driver Current (mA)	1000
LED Driver Voltage (Vdc)	24-40
LED Driver Efficiency (%)	89%
Power Factor $\lambda$	0.95
Total harmonic distortion (%)	<5%
Operating mode	Built in LED driver

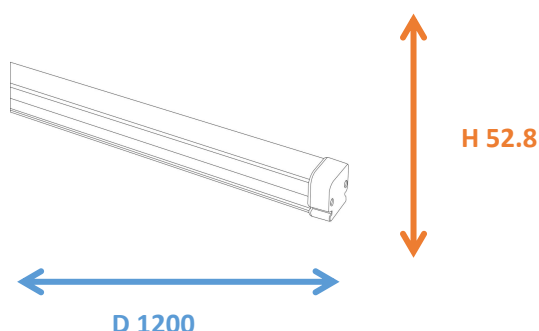
## Photometrical data

Luminous flux $\pm 10\%$ (lm)	5040 lm
Luminous efficacy	126 lm/w
Color temperature	<b>6500K</b>
Light color (designation)	Cold White
Color rendering index Ra	$\geq 80$
Standard deviation of color matching	$\leq 5$ SDCM
Luminous intensity/cd	1312
Flickering	Flicker free
Beam angle	123°



## Dimensions & Weight

Diameter (mm)	1200*55
Height (mm)	52.8
Product weight (g)	942



## Material & Colors

Product color	All White
Housing color	White
Body material	PC
Cover material	PC
Mercury content	0.0 mg

## Application & Mounting

Ambient temperature range	-20°C - +45 °C
Temperature range at storage	-25°C - +60 °C
Type of connection	Screwless terminal
Type of protection	IP65
Dimmable	No
Mounting type	Surface mounted
Mounting location	Ceiling
Application environment	Indoor/Outdoor
Cut size (mm)	No
LED module replaceable	Not replaceable
With light source	Yes

## Certificates & Lifespan

Life (h)	50,000
Certificates	CB CE LVD EMC
Standards	ISO9001:2015

## Logistical Data

Product code	Dimensions (L*W*H)	Pcs/ carton	G.W. kg	Volume CBM
HYD-T10-40W	...	...	...	...

## Installation Method

- ① Fix the 2 bracket on the ceiling with the screws



- ② Clip the light for connecting lines into the bracket and complete the installation



## Disclaimer

Subject to change without notice. Errors and omission excepted. Always make sure to use the most recent release.