

## PRODUCT DATASHEET

**Economic design Recessed mounted Downlight**  
**HYD-240R-30W-3000K /4000K / 6000K**



---

### Application

- Commercial building
- Exhibition Hall
- Warehouse
- Hotel
- Office

---

### Benefits

- Flicker free
- Economic and Elegant design
- Low lumen depreciation, saving Energy Up to 60% Compared to FL lamps
- Brand high efficiency LED chips Up To 100lm/w

---

### Features

- Warranty 5 years
- Buckle design, easy and quick installation
- Drivers independently designed for the products reliability and durability
- Die-cast aluminum body for better heat dissipation, anti-corrosion, and easy maintain

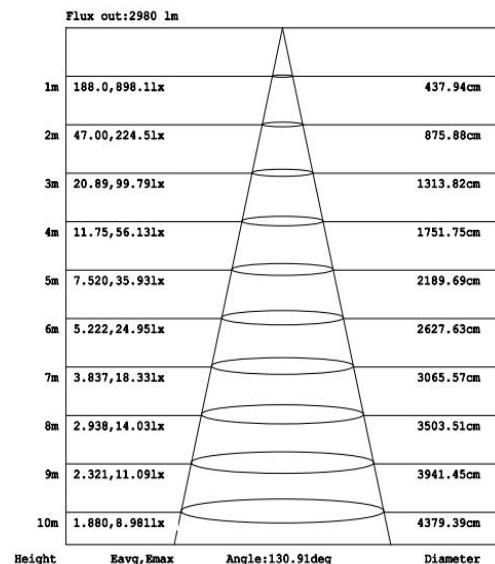
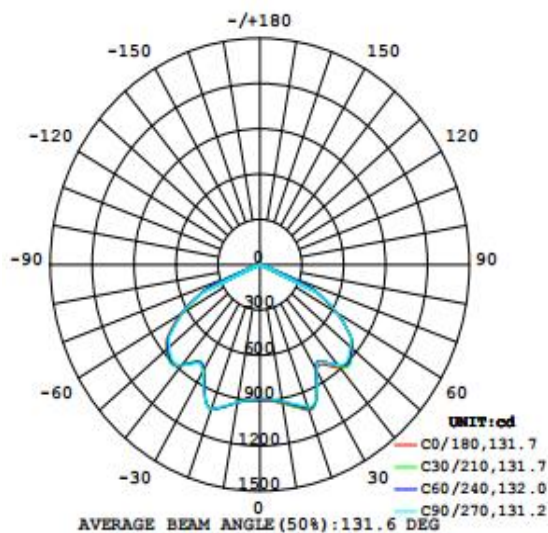
## Electrical Data

Nominal wattage (W)	<b>30W</b>
Nominal Voltage (V)	220-240V
Mains Frequency (Hz)	50-60Hz
Nominal Current (mA)	0.22A Max
LED Driver Current (mA)	750 mA
LED Driver Voltage (V)	24-42Vdc
LED Driver Efficiency (%)	89%
Power factor $\lambda$	0.95
Total harmonic distortion (%)	<12%
Operating mode	External LED driver

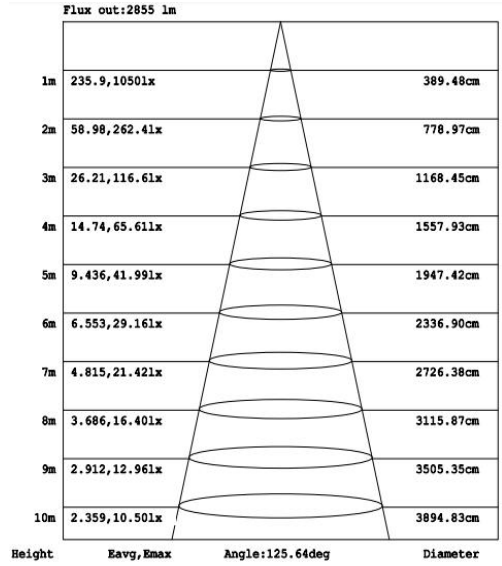
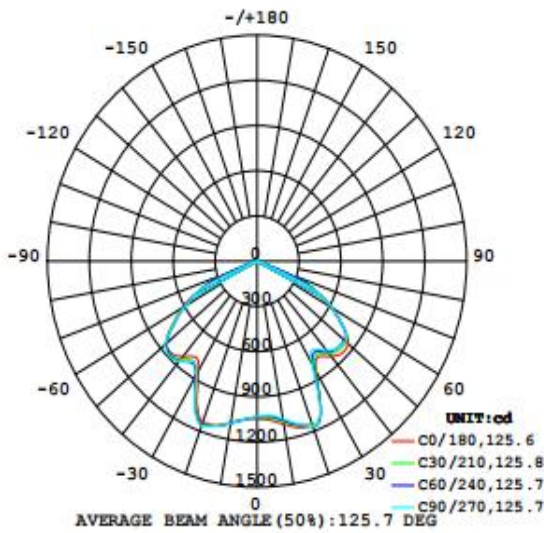
## Photometrical data

Luminous flux $\pm 10\%$ (lm)	3196	3176	3308
Luminous efficacy	107 lm/w	108 lm/w	110 lm/w
Color temperature	<b>3000K</b>	<b>4000K</b>	<b>6000K</b>
Light color (designation)	Warm White	Nature White	Cold White
Color rendering index Ra	$\geq 80$		
Standard deviation of color matching	$\leq 5$ SDCM		
Luminous intensity/cd	1030	1171	1052
Flickering	Flicker free		
Beam angle	132 °	126 °	133 °

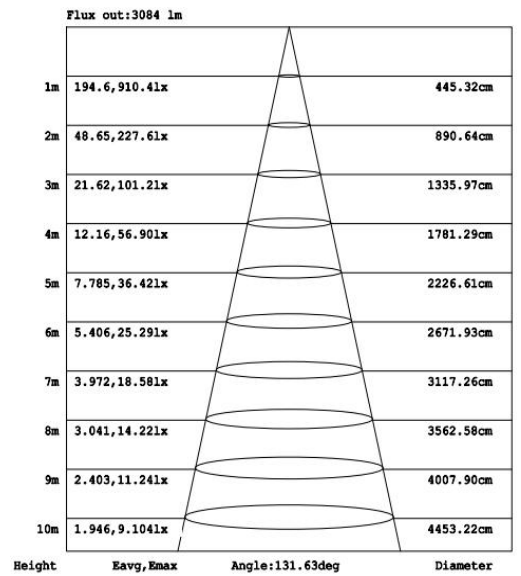
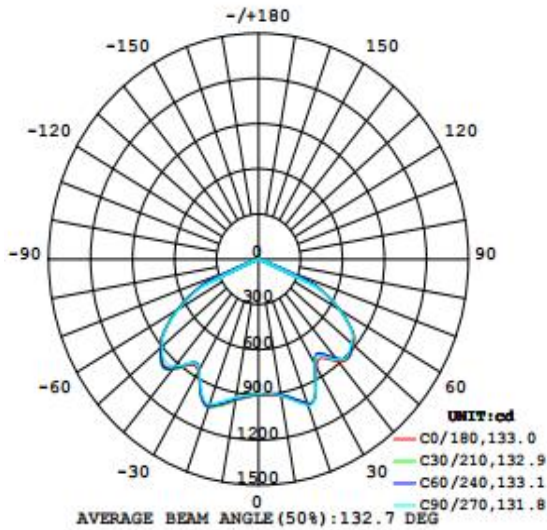
### 3000K



**4000K**

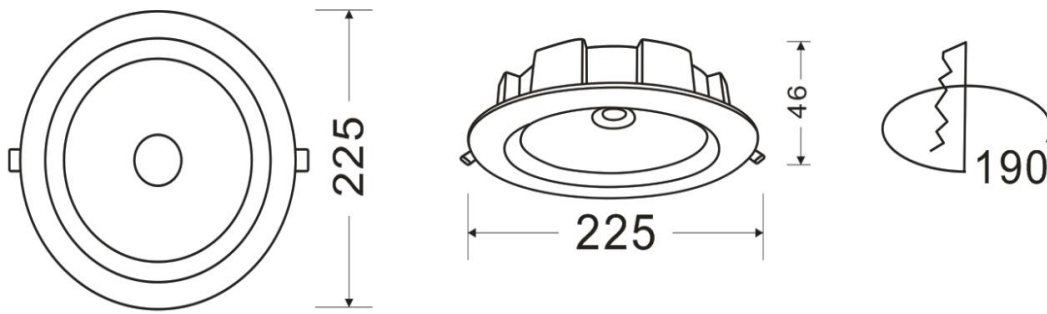


**6000K**



**Dimensions & Weight**

Diameter (mm)	225
Height (mm)	46
Product weight (g)	740



## Material & Colors

Product color	Black heat sink / White frame
Housing color	Black
Body material	Aluminum
LGP material	Transparent Glass
Mercury content	0.0 mg

## Application & Mounting

Ambient temperature range	-10-45 °C
Temperature range at storage	-25-60 °C
Type of connection	Screwless terminal
Type of protection	IP20
Dimmable	No
Mounting type	Recesse mounted
Mounting location	Ceiling
Application environment	Indoor
Cut size (mm)	190
LED module replaceable	Not replaceable
With light source	Yes

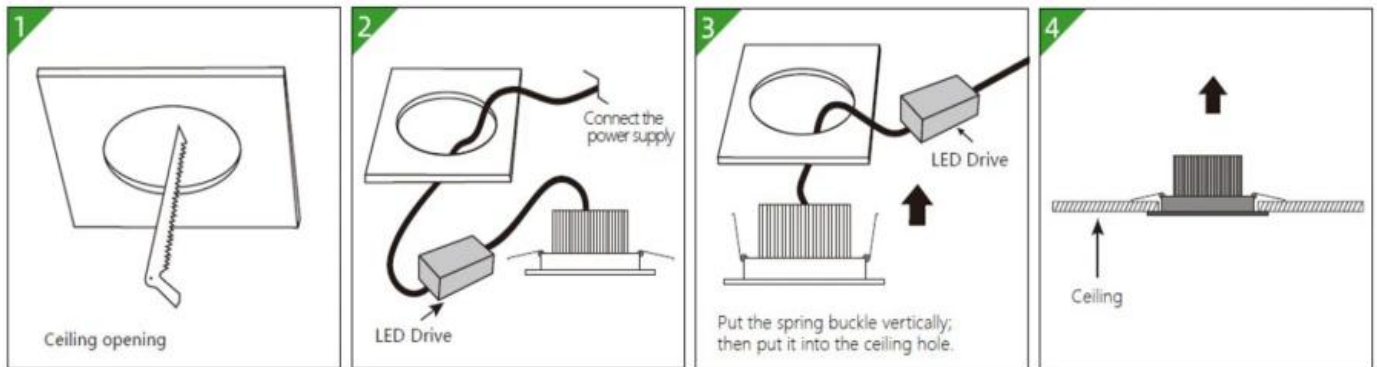
## Certificates & Lifespan

Life (h)	50000
Number of switching cycles	25000
Certificates	CB CE LVD EMC
Standards	ISO9001:2015

## Logistical Data

Product code	Dimensions (L*W*H)	Pcs/ carton	G.W. kg	Volume CBM
HYD-240R-30W	52*26*48.5 cm	20	/	0.06557

## Installation Method



## Disclaimer

Subject to change without notice. Errors and omission excepted. Always make sure to use the most recent release.